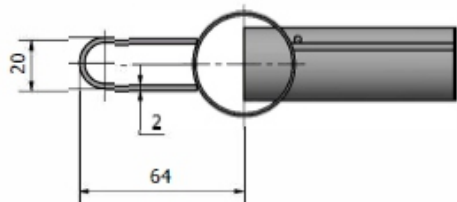
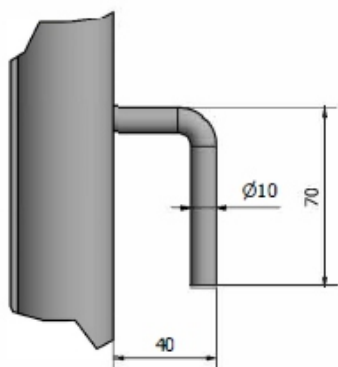


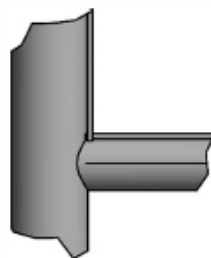
C-C



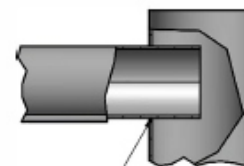
D



E

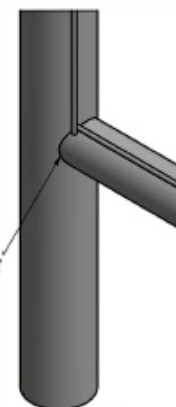


F



Horizontal pipe in a vertical pipe

Isometric view of the connection pipe



Bernfjord.DE
Abspernung Bauzaun

Finish: Hot dipped galvanised

Tolerance: ±5%

Weight: 12 kg

Bauzaun 1,2m hoch Profi Rohr-in-Rohr

Drawn :

Date:

CODE :

4000